

FORMOR

PRODUCT MANUALS



Fortune Plus Technology (Guangzhou) Limited

Fortune Plus Technology (Guangzhou) Limited

W. www.fortune-plus.com

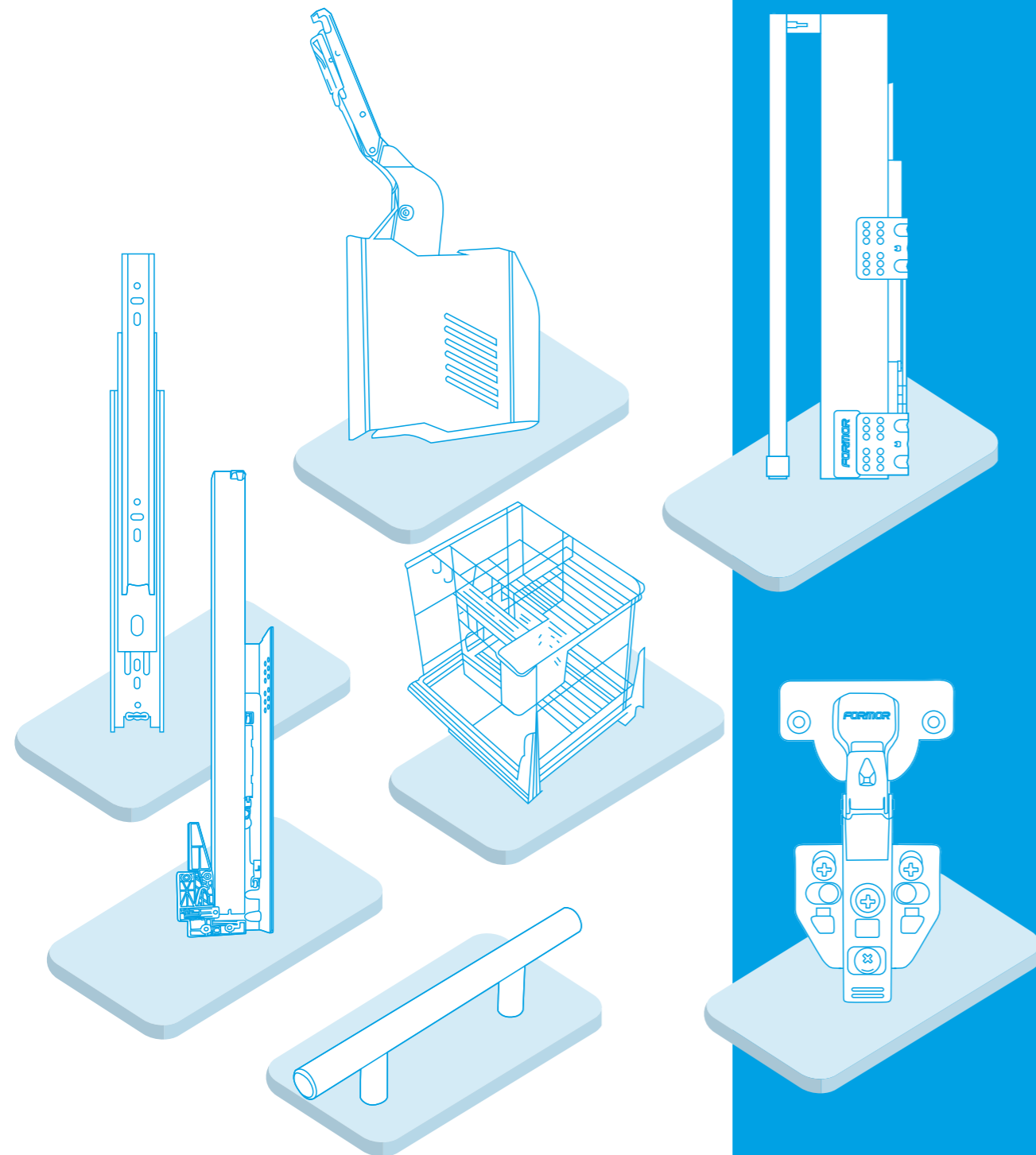
M. 020-82226081 F. 020-82221236

GuangZhou: 1301-121, NO.2 Youli Tech Park Pan Yu GZ, China

Panfu Rd, Chengxi Community, Pandong Town, Jiedong District, Jieyang City, China

INTRODUCTION

2012-2020⁺



Company Introduction

Fortune Plus Hardware is a professional OEM and ODM supplier for furniture fittings, furniture and decorative hardware globally.

Our headquarter is located in Guangzhou, the foreign trade center in China. Manufacturing unites for drawer slides and cabinet hinges are located in Jieyang City, 300 km from Guangzhou.

Since 2012, we have been dedicated in hardware designing, manufacturing and sourcing for foreign customers. We have developed our own brand FORMOR for one stop solution and space optimization for customized furniture.

We have operation offices in South Korea, India, Vietnam and Poland. With a team of energetic youth and multinational culture, we keep on creating values to our customers, looking for your cooperation.





GS-P001

PARAMETER

Tube:	20#precision seamless steel tube
Bar:	45# steel
Diameter of the tube:	15mm
Diameter of the bar:	6mm
Finish coating:	Chrome
Standard stroke:	90mm
Force:	40-250N

product description

GS-M001



GS-C001



GS-X001



GS-T001



GS-F001

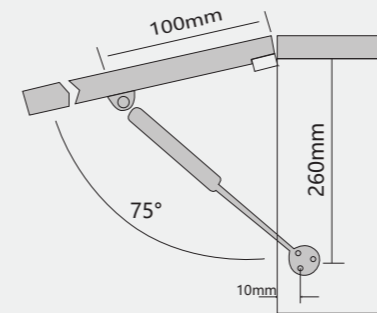


GS-A001

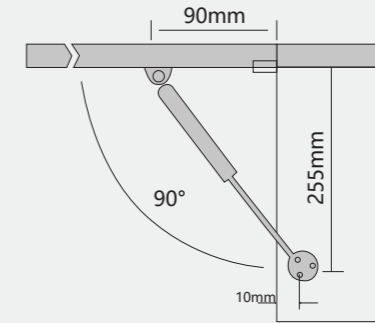


Installation diagram

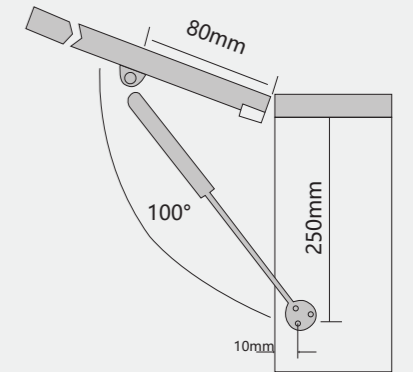
75 ° installation diagram



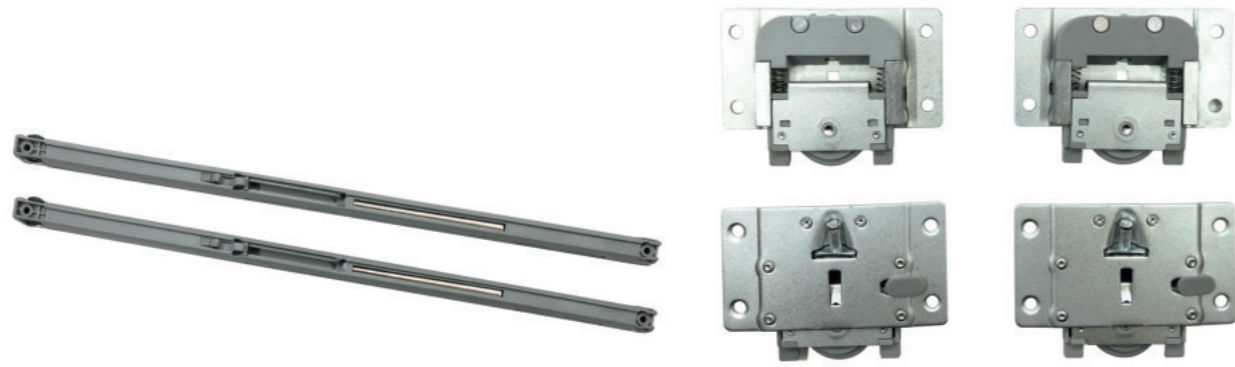
90 ° installation diagram



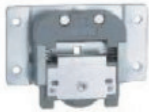





100 ° installation diagram



DF-B004

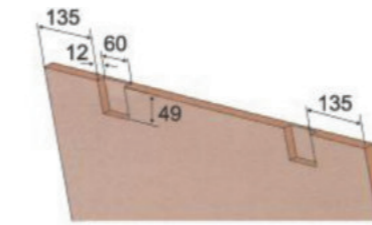


Sliding door system accessories

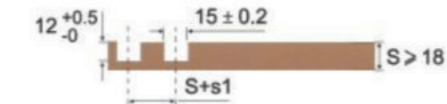
Accessory	Drawing	2 Doors	3 Doors	4 Doors
Runner		8	12	16
Buffer		4	4	4
Cap for Alum rail ending		8	8	8
Aluminum rail		4	4	4
Allen key		1	1	1
ST4x16 Croos recessed countersunk head tapping screws		32	48	64

Installation diagram

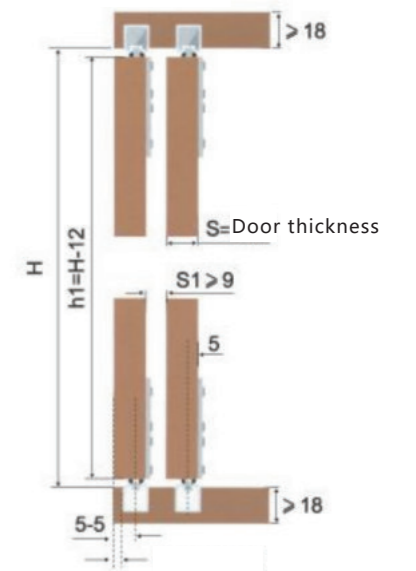
Slot on door panel



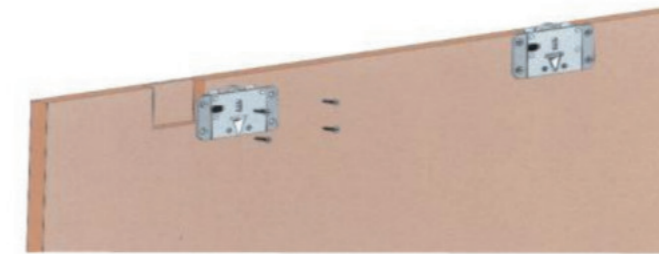
Slot dimension for aluminum rail



Wardrobe dimension



Runner installation



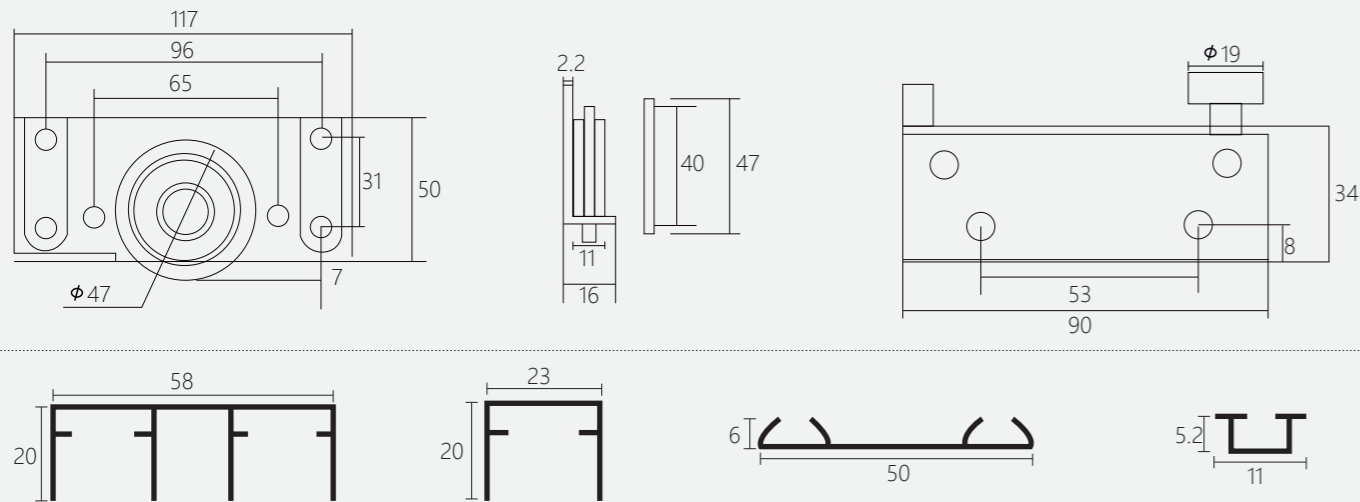
Damper installation



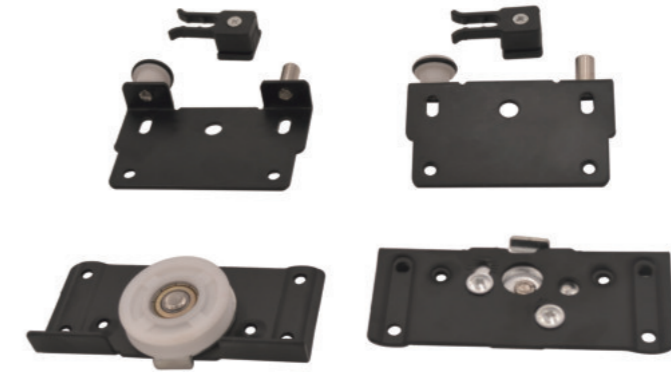
DF-B005



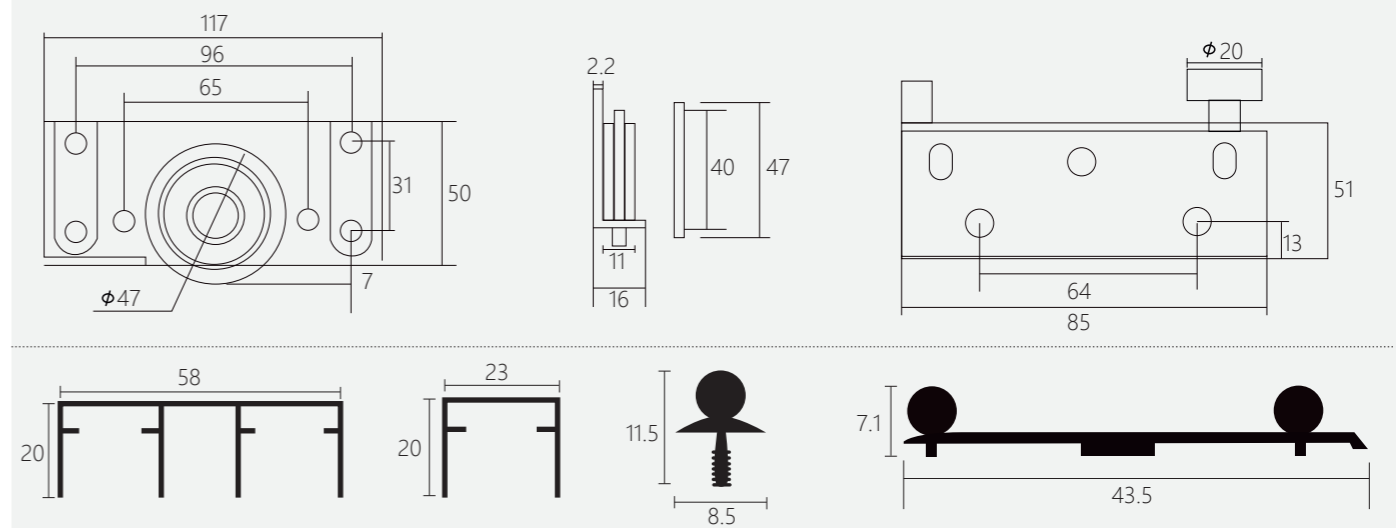
Installation diagram



DF-B003



Installation diagram



WARDROBE LIFT



WD-L001

Lifting hanger

Order No	Width of Wardrobe tube	Width of inside Wardrobe
WD-L001	450-600mm	510-660mm
	600-830mm	660-890mm
	830-1150mm	890-1210mm



PANTS RACK

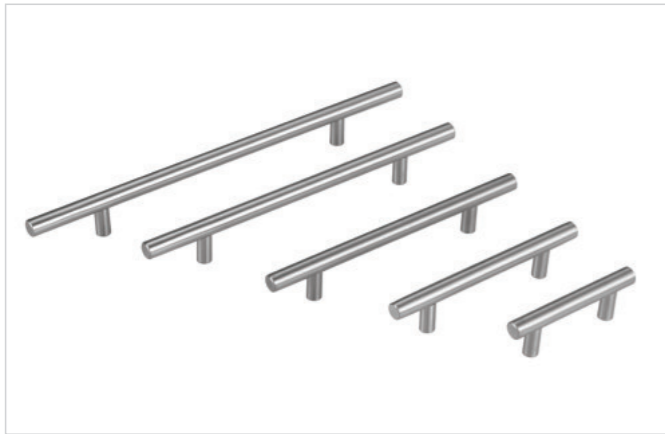


Damping pants

Order No	Products Size	Cabinet Width
WD-R001	565x480x60mm	565-665mm
	765x480x60mm	765-865mm
	865x480x60mm	865-965mm



T BAR HANDLE



HD-A002

Material: Stainless Steel 201
 Type: Hollow / Solid
 Diameter: 12mm / 10mm
 Height: 32mm

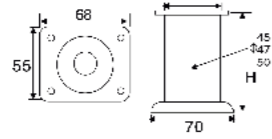
Hole Distance (mm)	64	96	128	160	192	224	256	288
Total Length (mm)	100	150	200	250	300	350	400	450





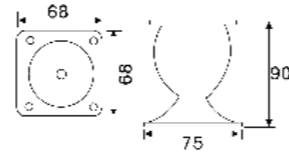
FF-B001

Material: Iron
 Finishing: chrome,brushed
 Specification: 40~150mm



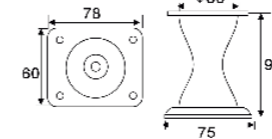
FF-B003

Material: Iron
 Finishing: chrome,brushed
 Specification: H80~100mm



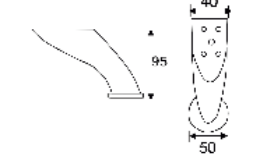
FF-B012

Material: Iron
 Finishing: chrome,brushed
 Specification: H100mm



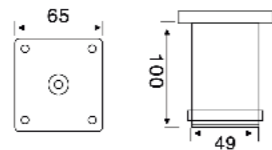
FF-B014

Material: Iron
 Finishing: chrome,brushed
 Specification: H100mm



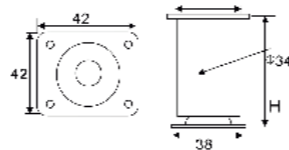
FF-B004

Material: Iron / SS201
 Finishing: chrome,brushed
 Specification: Size can be customized



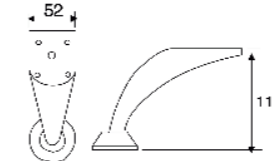
FF-B002

Material: Iron
 Finishing: chrome,brushed
 Specification: H80/100mm



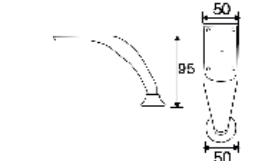
FF-B016

Material: Iron
 Finishing: chrome,brushed
 Specification: H120mm



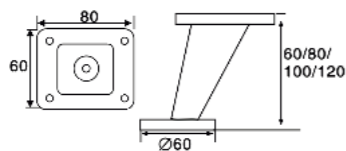
FF-B018

Material: Iron
 Finishing: chrome,brushed
 Specification: H100mm



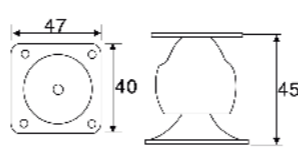
FF-B006

Material: Iron
 Finishing: chrome,brushed
 Specification: 60~120mm



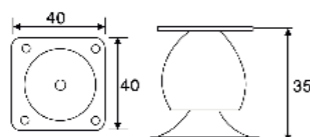
FF-B007

Material: Iron
 Finishing: chrome,brushed
 Specification: H50mm



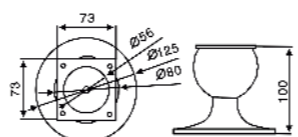
FF-B008

Material: Iron
 Finishing: chrome,brushed
 Specification: H35mm



FF-B009

Material: Iron
 Finishing: chrome,brushed
 Specification: H100mm



REBOUND DEVICE

FORMOR



RD-A002

Material: Plastic+Iron
Finish: White, Grey
Push to open length: 20/40mm



RD-A004

Material: Plastic+Iron
Finish: White, Grey
Push to open length: 40mm



RD-A001

Material: Plastic+Iron/SS304
Finish: White, Grey
Push to open length: 40mm



RD-A006

Material: Plastic+Iron
Finish: White, Grey
Push to open length: 20/40mm



RD-A003

Material: Plastic+Iron
Finish: White, Grey
Push to open length: 12mm



RD-A005

Material: Plastic+Iron
Finish: White, Grey
Push to open length: 20mm



RD-A009

Material: Alu alloy+Plastic
Finish: Silver, Gold
Push to open length: 40mm



RD-A008

Material: Alu alloy+Plastic
Finish: Silver, Gold
Push to open length: 40mm

